

RIDGE

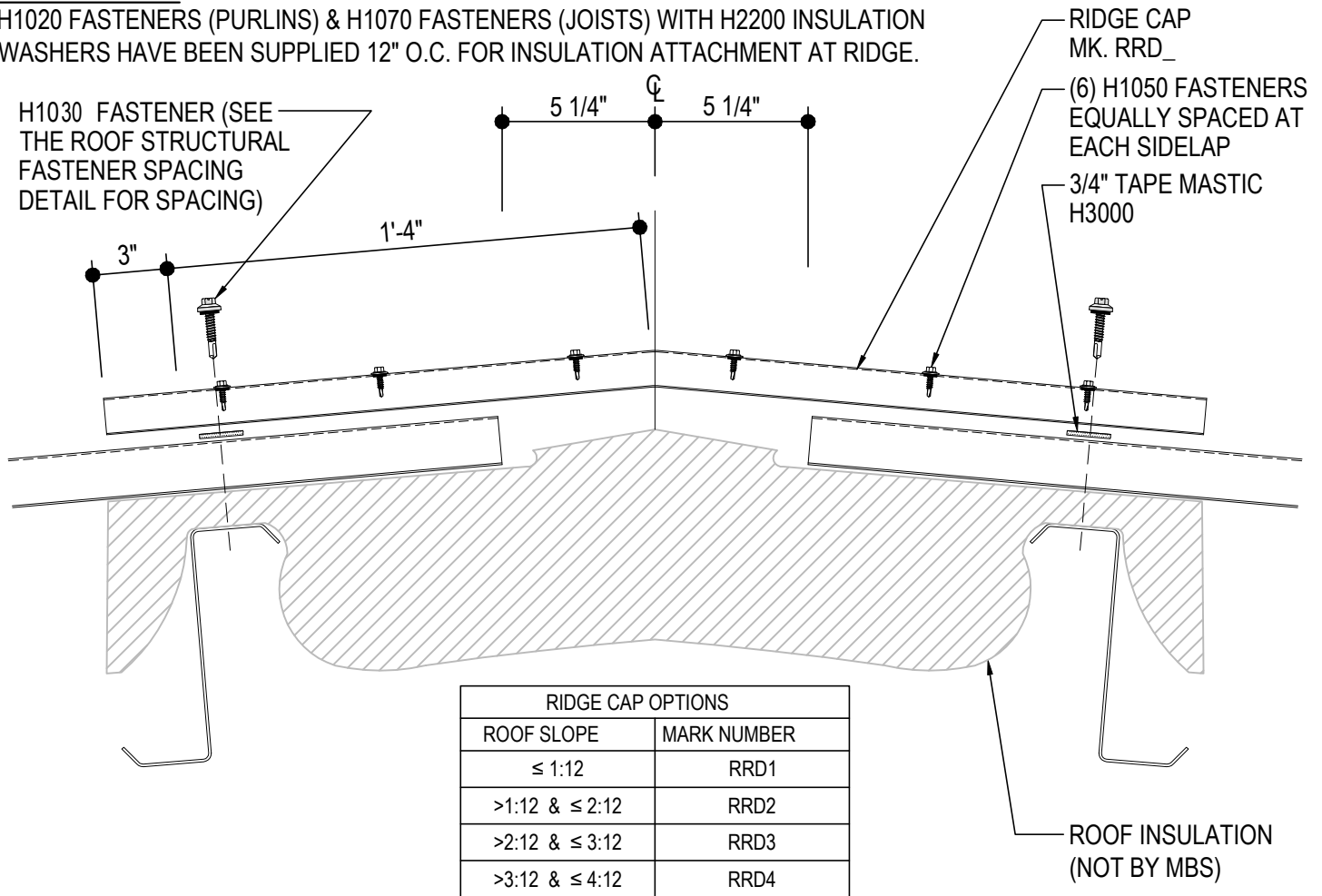
- DG0011 - DIE-FORMED RIDGE CAP
- DG0031 - LOW PROFILE RIDGE CAP

DG0011 - DIE-FORMED RIDGE CAP

[Download the DWG file by clicking here.](#)

ERECTOR NOTE:

H1020 FASTENERS (PURLINS) & H1070 FASTENERS (JOISTS) WITH H2200 INSULATION WASHERS HAVE BEEN SUPPLIED 12" O.C. FOR INSULATION ATTACHMENT AT RIDGE.



DIE-FORMED RIDGE CAP

R-Panel ROOF
WITH ≤ 60'-0" PANEL RUN AND ≤ 4:12 ROOF SLOPE

DG0011

Detailer Notes:

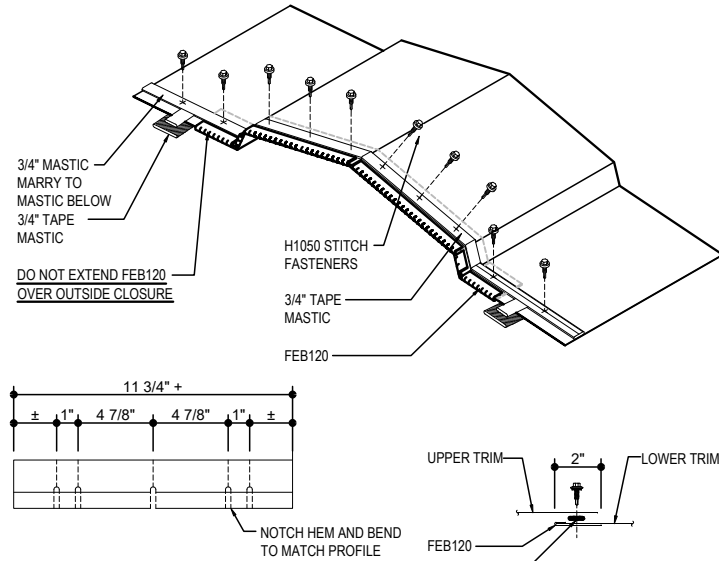
1) N/A

DG0031 - LOW PROFILE RIDGE CAP

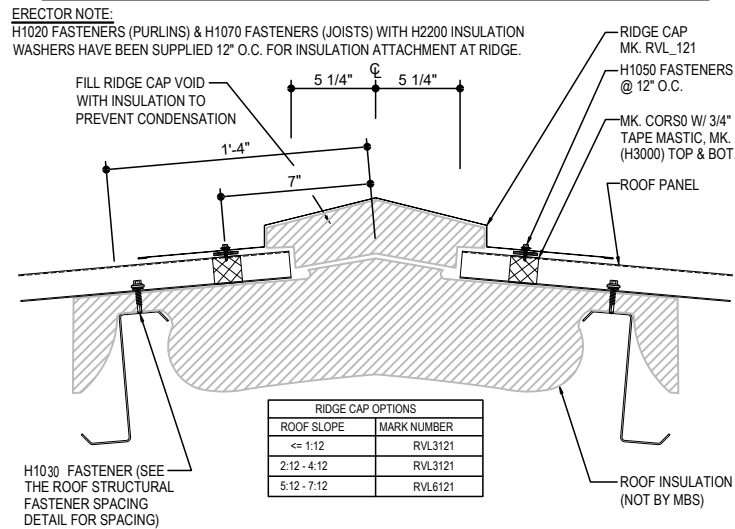
[Download the DWG file by clicking here.](#)

RIDGE CAP LAP & FLASHING BACKER

SLIDE FIELD CUT SECTION FLASHING ENDLAP BACKER ONTO THE LOWER TRIM PIECE. PLACE TAPE MASTIC NEXT TO HEM OF THE BACKER (NOT ON TOP OF HEM). MARRY LAP MASTIC WITH MASTIC BETWEEN RIDGE CAP AND PANEL CLOSURE.



FLASHING ENDLAP BACKER
FIELD CUT FROM STANDARD FEB120



LOW PROFILE RIDGE CAP

R-Panel ROOF
WITH > 60'-0\"/>

DG0031

Detailer Notes:

- 1) N/A